

MOSA M12 FEMALE 90° FIELD-WIREABLE (IDC)4-pol. 0.25...0.5mm²

Female 90°

M12, 4-pole

IDC terminals

Connection cross section: 0.25...0.5 mm²

Art-No. 7005 - M12 Lite - (plastic hexagonal screw) on request

The resistance to aggressive media should be individually tested for your application. Further details on request.

Illustration

Product may differ from Image

Form

Form 12681

Technical Data

Operating voltage	max. 32 V AC/DC
Operating current per contact	max. 4 A
Connection cross section	0.25...0.5 mm ² (conductor diameter min. 0.1 mm)
Sealing range (cable Ø)	4...5.1 mm
Wire isolation	PVC, PP, TPE
Outer wire Ø	1.2...1.6 mm
Locking of ports	Screw thread (M12×1 mm) recommended torque 0.6 Nm, self-securing
Protection	IP67 inserted and tightened (EN 60529)
Reconnection (cable)	10

General data

Temperature range	-25...+85 °C
Dimensions H×W×D	37×40×15 mm

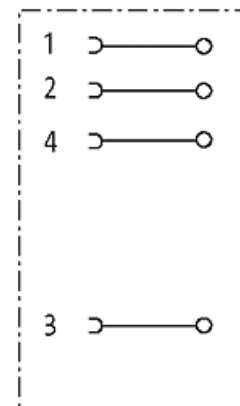
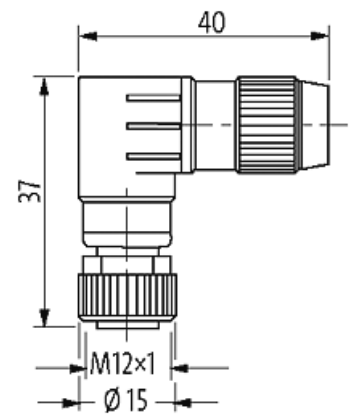
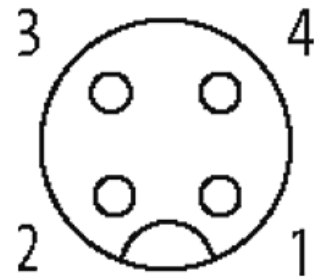
Commercial data

country of origin	DE
customs tariff number	85366990
EAN	4048879201681
eClass	27279221
Packaging unit	1

Sketch

stay connected

Female



Product may differ from Image